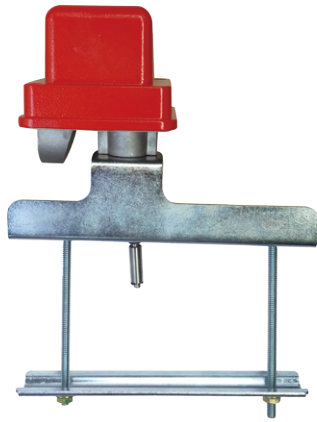


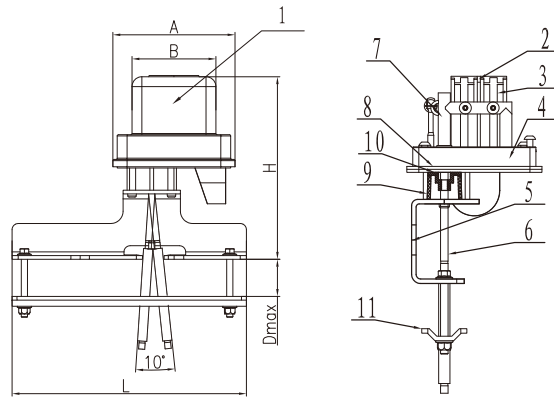
Supervisory Switch for OS&Y Gate Valve (MXHQ)



MXHQ



- Service Environment: Indoor or Outdoor use, all parts have corrosion resistant finishes
- Temperature Range: 0°C - 80°C
- Cover Tamper: Tamper Resistant Screws
Optional Cover Tamper Switch Available
- Electrical Ratings: 15 Amps at 125/250VAC
- Appliance Standards: NFPA-13, NFPA-13D, NFPA-13R, NFPA-72
- Statement: The Model MXHQ Supervisory Switch is used to monitor the open or close status of an OS&Y (outside screw and yoke) type gate valve. There are two sizes, the model MXHQ D50 serves the OS&Y Gate valves ranging in size from 2"-16"(50mm - 400mm), the other model MXHQ D450 is fit for the OS&Y Gate valves ranging in size from 18"-24"(450mm - 600mm).



MATERIAL SPECIFICATION

Part No.	Part	Standard Specification	Options
1	Outer Shell	ADC12	
2	Brace	Carbon Steel Q235	AISI 304, AISI 316
3	Micro Switch		
4	Base	ADC12	
5	Connection Plate	Carbon Steel Q235	AISI 304, AISI 316
6	Driving Lever	AISI 304	AISI 316
7	Axis	Nylon	
8	Sealing Gasket	CR Foam Cotton	
9	Pressing Sleeve	PTFE	
10	Rubber Ring	EPDM	
11	Clamp Plate	Carbon Steel Q235	

Note: For special material request other than standard specification, please indicate clearly on the inquiry or order list.

DN		Dimensions(mm)				
Inch	mm	A	B	H	L	Dmax
2"-16"	50-400	99	68	148	200	105
18"-24"	450-600	99	68	148	360	135

TYPICAL ELECTRICAL CONNECTIONS

