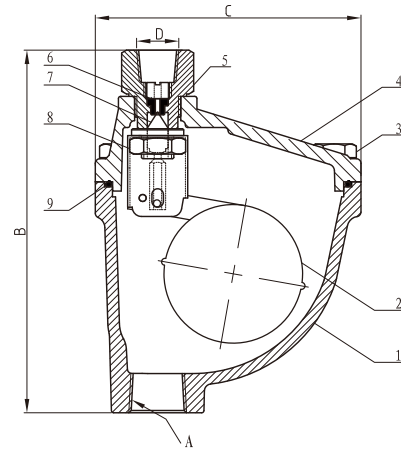


## Micro Air Bleeding Valve (ARVX)



ARVX

- Connection Ends: ASME B1.20.1
- Working pressure: 300PSI
- Temperature Range: 0°C - 80°C
- Coating: Fusion Bonded Epoxy Coating in accordance with ANSI/AWWA C550



### MATERIAL SPECIFICATION

Part No.	Part	Standard Specification
1	Valve Body	ASTM A536 64-45-12
2	Ball	AISI 304
3	Hex Bolt	Carbon Steel Zinc Plated
4	Bonnet	ASTM A536 64-45-12
5	Exhaust Joint	Brass HPb59-1
6	Exhaust Gasket	EPDM
7	Valve Needle	AISI 304
8	Nut	AISI 304
9	O-Ring	NBR

Note: For special material request other than standard specification, please indicate clearly on the inquiry or order list.

DN		Dimensions(mm)			
Inch	mm	A	B	C	D
1/2"	15	1/2-14NPT	157	115	3/8-18NPT
3/4"	20	3/4-14NPT	157	115	3/8-18NPT
1"	25	1-11.5NPT	157	115	3/8-18NPT
1 1/4"	32	1-1/4-11.5NPT	157	115	3/8-18NPT
1 1/2"	40	1-1/2-11.5NPT	157	115	3/8-18NPT